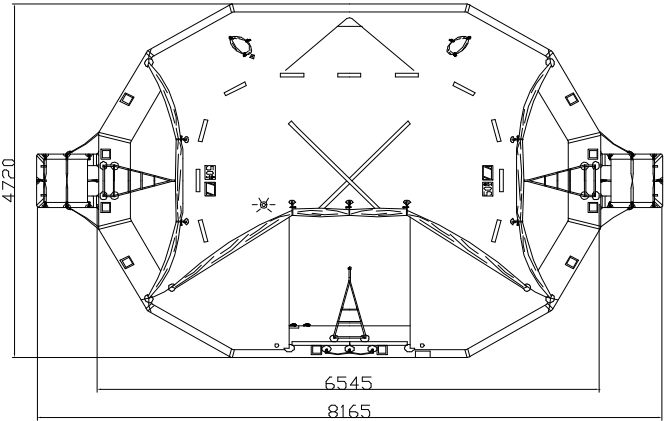
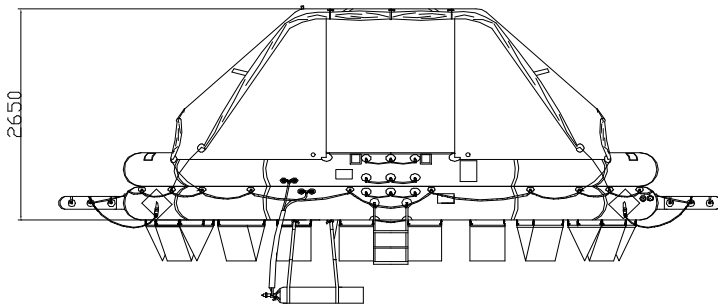
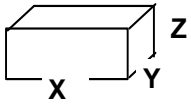




## ROUND CONTAINER 50 MAN THROW OVER BOARD LIFERAFT SOLAS A & B PACK



### TECHNICAL INFORMATION

50 MAN	A PACK			B PACK		
Container	N20			N18		
Dimensions	X: 1560 mm X: 5' 1,42"	Y: 952 mm Y: 3' 1,49"	Z: 960 mm Z: 3' 1,8"	X: 1560 mm X: 5' 1,42"	Y: 852 mm Y: 2' 9,55"	Z: 835 mm Z: 2' 8,88"
Liferaft Net Weight	369 kg / 814 pounds			233 kg / 514 pounds		
Max. height stowage	20 m / 66'			20 m / 66'		
Painter line length	30 m / 99'					
Inflation Cylinder	2 x 27 liter					
 Crate	X: 1640 mm X: 5' 4,57"	Y: 1050 mm Y: 3' 5,34"	Z: 1150 mm Z: 3' 9,28"	X: 1640 mm X: 5' 4,57"	Y: 940 mm Y: 3' 1,01"	Z: 1010 mm Z: 3' 3,77"
	438 kg / 966 pounds			288 kg / 635 pounds		
	1,981 m <sup>3</sup> / 69,93 cubic foot			1,558 m <sup>3</sup> / 54,98 cubic foot		
Towing force	<b>2 knots</b>			<b>3 knots</b>		
Without sea anchor	155 daN			235 daN		
With sea anchor	170 daN			275 daN		

**Approvals:** EC (MED) – USCG – TC – BV

50 TO cont rond Zodiac 22112006 KLT.doc Issue : 2 Date: 22/11/2006

Dimensions and weight +/- 5% Zodiac reserves the right to change specification without notice.  
For installation, add minimum +10mm for clearance to dimensions of the container.